



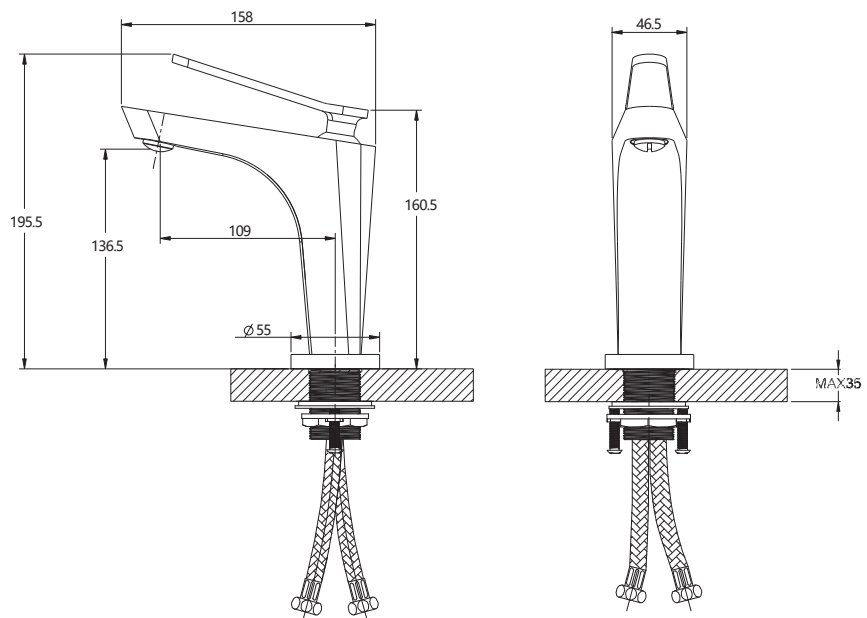
Installation instructions



NOS 1077

The main advantages of "AQUASANITA" water mixers are the practicality of the models, convenient control of faucets and reliability of the parts. All this brand's faucets have brass housings and ceramic cassettes, aerators are economical - save water and reduce water consumption.

Congratulations on your purchase of our product. Bathroom Faucet Nos1077.



TECHNICAL DATA

01

Current rating: min (0.5 bar)
 Current rating: max (10 bar)
 Water temperature: max 80 °C
 Recommended hot water temperature: 70 °C



WARNING

02

Before installing the mixer, it is advisable to rinse the plumbing pipes to which the mixer will be connected, thus removing any dirt that may have accumulated (this is especially important if the faucet is mounted on a new plumbing).

When connecting the mixer to the plumbing pipes, it is recommended to gradually open the water supply valve by strengthening the flow of water while observing whether all mixer connections are hermetically sealed and impermeable to water.



WE RECOMMEND

03

To prevent any mechanical impurities from entering the faucet inside the faucet, a water purification filter that must not exceed 100 microns must be installed before installing the mixer.

WE RECOMMEND THAT THE FAUCET INSTALLATION WORK BE CARRIED OUT BY PROFESSIONALS.

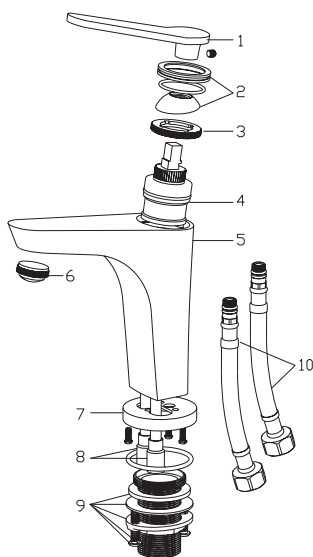
MOUNTING

04

1. Switch off the hot / cold water supply system.
2. Remove (unscrew) the aerator (to avoid aerator contamination during the first water start).
3. Attach the mixer to the sanitary-technical unit using the included mounting parts. Attach flexible hoses to the mixer, which cannot be pierced by screwing in, as sealing gaskets in the water hose can be damaged.
4. Connect the mixer to the water supply system. Run water from the plumbing system. Check the tightness of all connections in the closed mixer position. If necessary, carry out additional tightening and sealing of the joints (after closing the water supply from the plumbing system).
5. Unscrew the cold and hot water current briefly (to rinse the pipes), then turn off the water and attach (screw) the aerator.

PART LIST AS FOLLOWS:

05



No.	Name	Quantity
1	Handle	1
2	Cap	1
3	Bonnect Nut	1
4	Cartridge	1
5	Body	1
6	Aerator	1
7	Base	1
8	Inlet tube	1
9	Fixing part	1
10	Inlet hose	1

5 YEAR WARRANTY FOR THE WATER MIXER

06

During the warranty period set by the manufacturer, the manufacturer assumes responsibility for any manufacturing or material defects in the equipment. If such defects occur, please return the mixer to the giver. It is necessary to provide the purchase documentation along with the returns that you must keep until the end of the warranty period.

The manufacturer assumes no responsibility if:

- the user does not follow the cleaning and maintenance instructions;
- the consumer uses the product for purposes other than intended;
- the user uses spare parts from another manufacturer;
- if the faucet has been repaired by an unqualified person;
- if the faucet has been improperly operated;
- if the fault occurred when the faucet was incorrectly installed;
- if the surface of the mixer or its parts is mechanically damaged or scratched;
- if mechanical impurities have entered the inside of the mixer, with large amounts of lime or water freezing in the mixer;
- if the mixer is returned incompletely and without the original packaging.